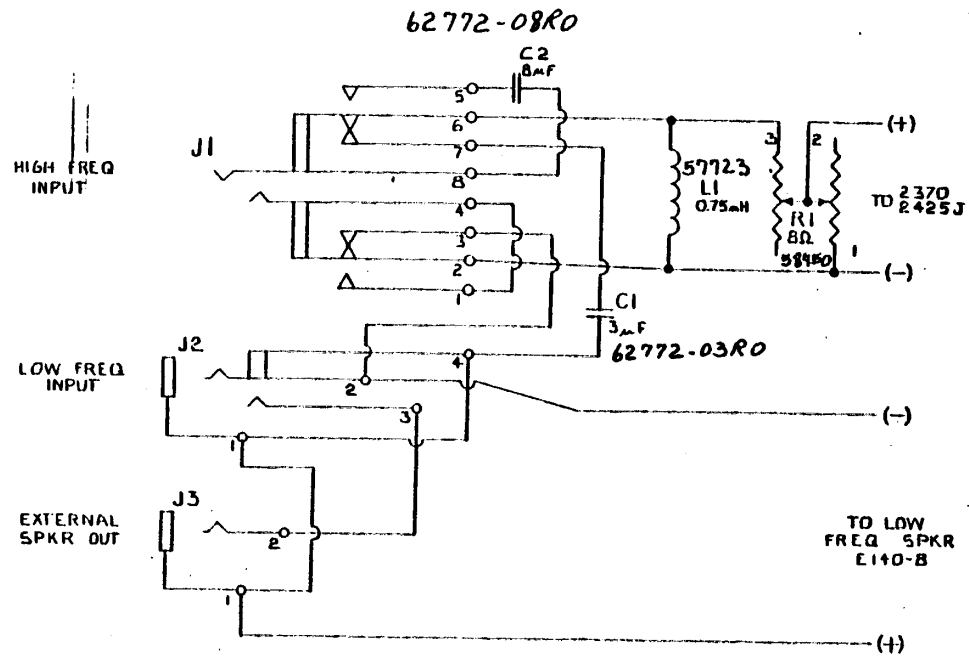


THESE DRAWINGS AND SPECIFICATIONS ARE THE PROPERTY OF JAMES B. LANING SOUND INC. THEY ARE ISSUED ON STRICT CONFIDENCE AND SHALL NOT BE REPRODUCED COPIED OR USED AS THE BASIS FOR MANUFACTURE OR SALE OF APPARATUS WITHOUT WRITTEN PERMISSION.

REVISIONS						
CHG	LTR	DESCRIPTION	DRFT	CHK	DATE	APPR
5-292	A	REL FOR PRODUCTION	10/1	PLM	10/10/62	W.B.
B691	B	RECONFIGURATION AT J1	10/1	PLM	1/15/63	W.B.



N4691

63371-01

NOTES: (UNLESS OTHERWISE SPECIFIED)

ITEM	PART NO.	DESCRIPTION	QTY	REMARKS
BILL OF MATERIAL				
<small>UNLESS OTHERWISE SPECIFIED DIMENSIONS ARE IN INCHES</small> <small>MEAN SHARP EDGES 0.005 inch</small> <small>TOLERANCES (UNLESS OTHERWISE SPECIFIED)</small> H HOLE 0.005 inch H HOLE 0.012 inch H HOLE 0.030 inch <small>FRATIONAL DIMENSIONS 1/100</small> <small>ALL DIMENSIONS ARE FIN. UNLESS OTHERWISE SPECIFIED</small> <small>DO NOT SCALE DRAWING</small>		<small>MATERIAL</small> <small>FINISH</small> <small>FINISH USED ON</small> N-1691	<small>DRAWN</small> PLM <small>CHECKED</small> 10/10/62 <small>DESIGN</small> PLM <small>APPROVED</small> W.B.	<small>JAMES B. LANING SOUND, INC.</small> <small>A FORT WORTH, TEXAS COMPANY</small> <small>2400 W. GARDNER, FORT WORTH, TEXAS 76104 USA</small> SCHEMATIC DIAGRAM <small>DRAWING NO.</small> 63371-01 <small>REV.</small> B